



MODEL APRILIA RSV4

YEAR 2009-->

LINE SPORT

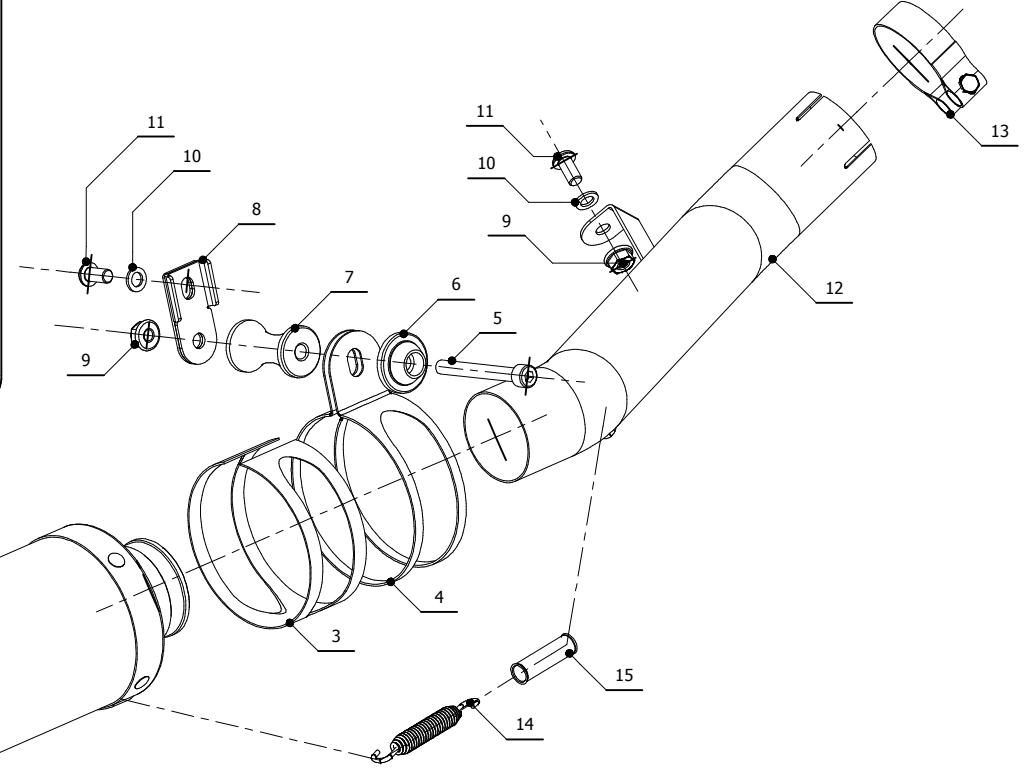
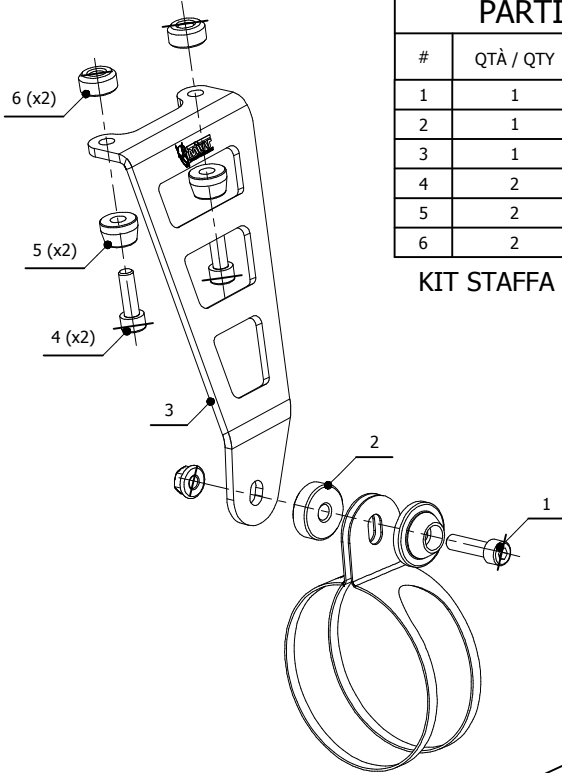
MUFFLER GP

SCHEMATIC

PARTI OPZIONALI / OPTIONAL PARTS

#	QTÀ / QTY	DESCRIZIONE / DESCRIPTION	CODICE / CODE
1	1	Vite M8x30 / Screw M8x30	50.73.219.1
2	1	Distanziale in alluminio / Aluminium spacer	50.SS.645.1
3	1	Staffa / Bracket	50.SS.623.0
4	2	Vite M8x25 / Screw M8x25	50.73.064.1
5	2	Rondella in alluminio / Aluminium washer	50.73.248.1
6	2	Distanziale in alluminio / Aluminium spacer	50.SS.070.1

KIT STAFFA MONOPOSTO / SINGLE SEAT HOLDER KIT
COD. 00.73.ACC.020.S2



ELENCO PARTI / PARTS LIST

#	QTÀ / QTY	DESCRIZIONE / DESCRIPTION	CODICE / CODE
1	1	DB killer / DB killer	50.DK.020.0
2	1	Silenziatore / Muffler	GP
3	1	Protezione in gomma per staffa / Rubber protection for bracket	50.73.040.1
4	1	Staffa / Bracket	50.SS.001.0
5	1	Vite M8x70 / Screw M8x70	50.73.086.1
6	1	Rondella in alluminio / Aluminium washer	50.73.063.1
7	1	Distanziale in alluminio / Aluminium spacer	50.SS.150.1
8	1	Staffa / Bracket	50.SS.581.0
9	2	Dado 8 MA flangiato / Flanged nut 8 MA	50.73.052.1
10	2	Rondella M8 / Washer M8	50.73.270.1
11	2	Vite M8 x 16 / Screw M8 x 16	50.73.098.1
12	1	Tubo di raccordo / Link pipe	9773A008S2
13	1	Fascetta Ø 56/59 mm / Pipe clamp Ø 56/59 mm	50.FA.009.1
14	1	Molla media / Middle spring	50.73.359.1
15	1	Tubo in gomma per molla / Rubber pipe for spring	50.73.210.1

APPLICAZIONI / APPLICATIONS

CODICE / CODE	TUBO / PIPE	MUFFLER / SILENZIATORE	FASCETTA / CLAMP
A.008.L2S	INOX / ST. STEEL	CARBONIO / CARBON FIBER	INOX / ST. STEEL
A.008.L6S	INOX / ST. STEEL	TITANIO / TITANIUM	INOX / ST. STEEL