



MODEL SUZUKI GSX-R 1000

YEAR 2017 -->

LINE SLIP ON

MUFFLER GHIBLI

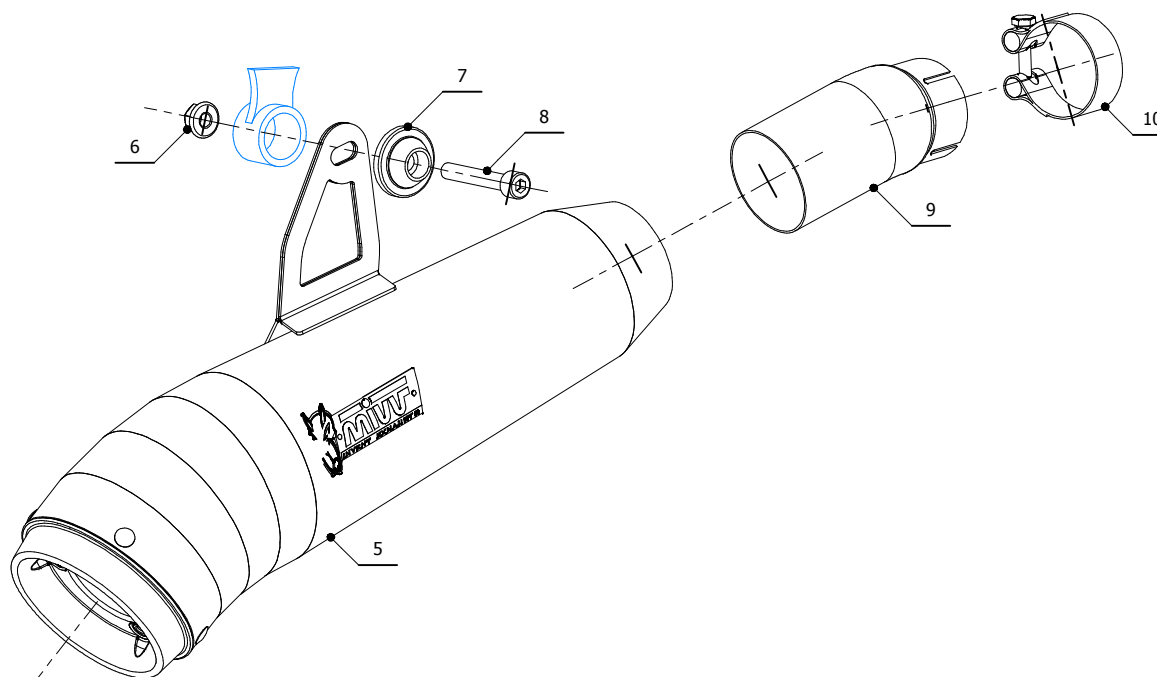
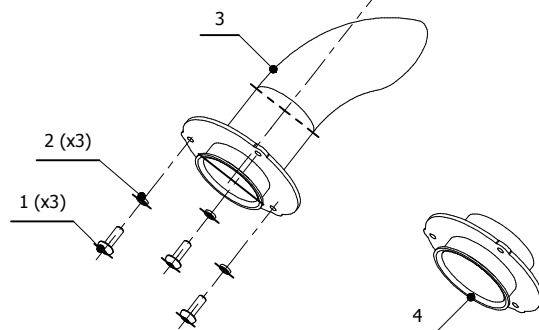
SCHEMATIC

ELENCO PARTI / PARTS LIST

#	QTÀ / QTY	DESCRIZIONE / DESCRIPTION	CODICE / CODE
1	3	Vite M4 x 12 / Screw M4 x 12	50.73.438.1
2	3	Rondella M4 / Washer M4	50.73.440.1
3	1	DB killer / DB killer	50.DK.051.0
4	1	DB killer racing / Racing DB killer	50.DK.052.0
5	1	Silenziatore / Muffler	GHIBLI
6	1	Dado M8 flangiato / Flanged nut M8	50.73.393.1
7	1	Rondella in alluminio / Aluminium washer	50.73.063.1
8	1	Vite M8x50 / Screw M8x50	50.73.074.1
9	1	Tubo di raccordo / Link pipe	9773S050S2
10	1	Fascetta Ø 48/51 mm / Pipe clamp Ø 48/51 mm	50.FA.007.1

OPTIONAL PART

00.73.ACC.071.0
COVER IN CARBONIO
CARBON FIBER HEAT SHIELD



APPLICAZIONI / APPLICATIONS

CODICE / CODE	TUBO / PIPE	SILENZIATORE / MUFFLER
S.050.LGX	INOX / ST. STEEL	INOX / ST. STEEL