



MODEL SUZUKI GSX-R 600
SUZUKI GSX-R 750

YEAR 2011 - 2016
2011 - 2017

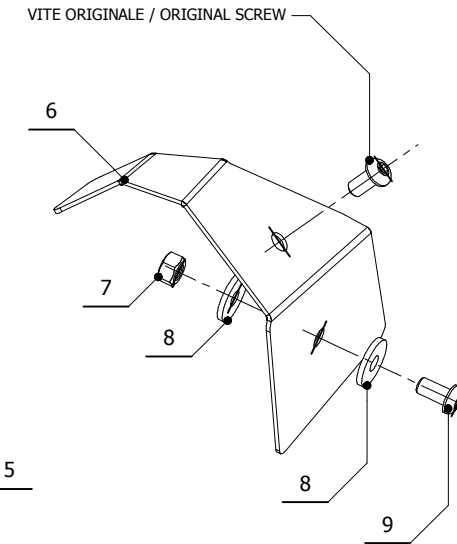
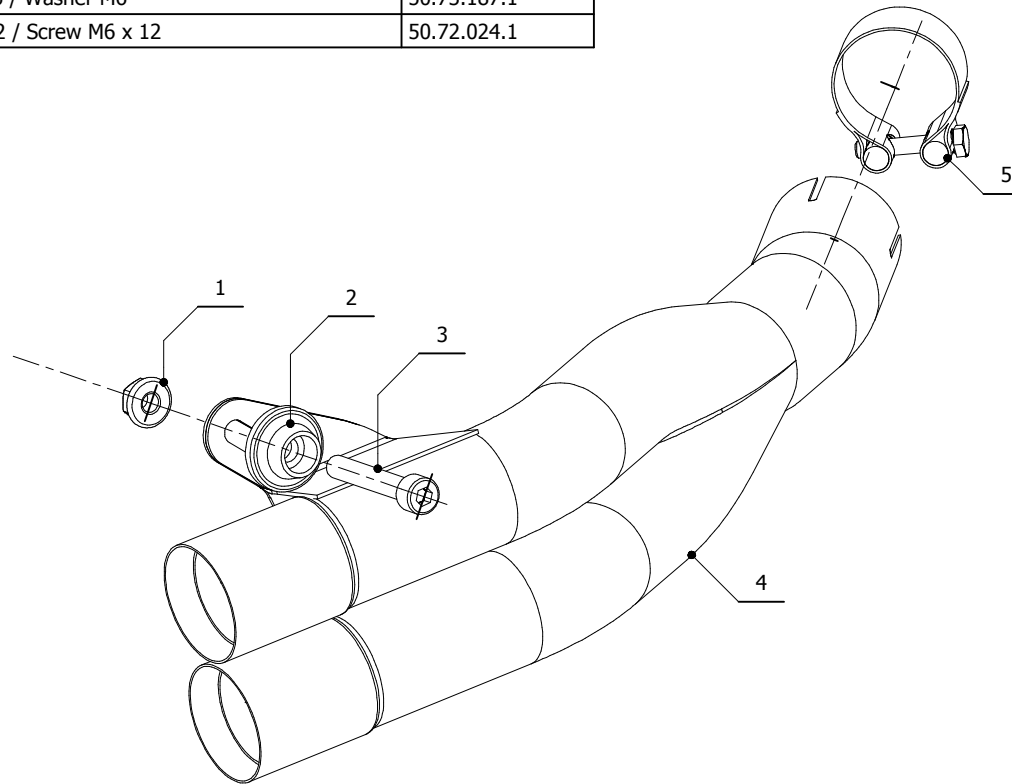
LINE SLIP ON

MUFFLER DOUBLE GUN

SCHEMATIC

ELENCO PARTI / PARTS LIST

| # | QTÀ / QTY | DESCRIZIONE / DESCRIPTION | CODICE / CODE |
|---|-----------|---|---------------|
| 1 | 1 | Dado M8 flangiato / Flanged nut M8 | 50.73.052.1 |
| 2 | 1 | Rondella in alluminio nera / Black aluminium washer | 50.73.221.1 |
| 3 | 1 | Vite M8x50 / Screw M8x50 | 50.73.074.1 |
| 4 | 1 | Silenziatore / Muffler - db killer 50.DK.059.0 | DOUBLE GUN |
| 5 | 1 | Fascetta Ø 44/47 mm / Pipe clamp Ø 44/47 mm | 50.FA.006.1 |
| 6 | 1 | Copertura in alluminio / Aluminium cover | 50.CR.016.0 |
| 7 | 1 | Dado M6 / Nut M6 | 50.73.146.1 |
| 8 | 2 | Rondella M6 / Washer M6 | 50.73.187.1 |
| 9 | 1 | Vite M6 x 12 / Screw M6 x 12 | 50.72.024.1 |



APPLICAZIONI / APPLICATIONS

| CODICE / CODE | TUBO / PIPE | SILENZIATORE / MUFFLER |
|---------------|-------------|------------------------|
| S.036.LDGB | --- | STEEL BLACK |

