



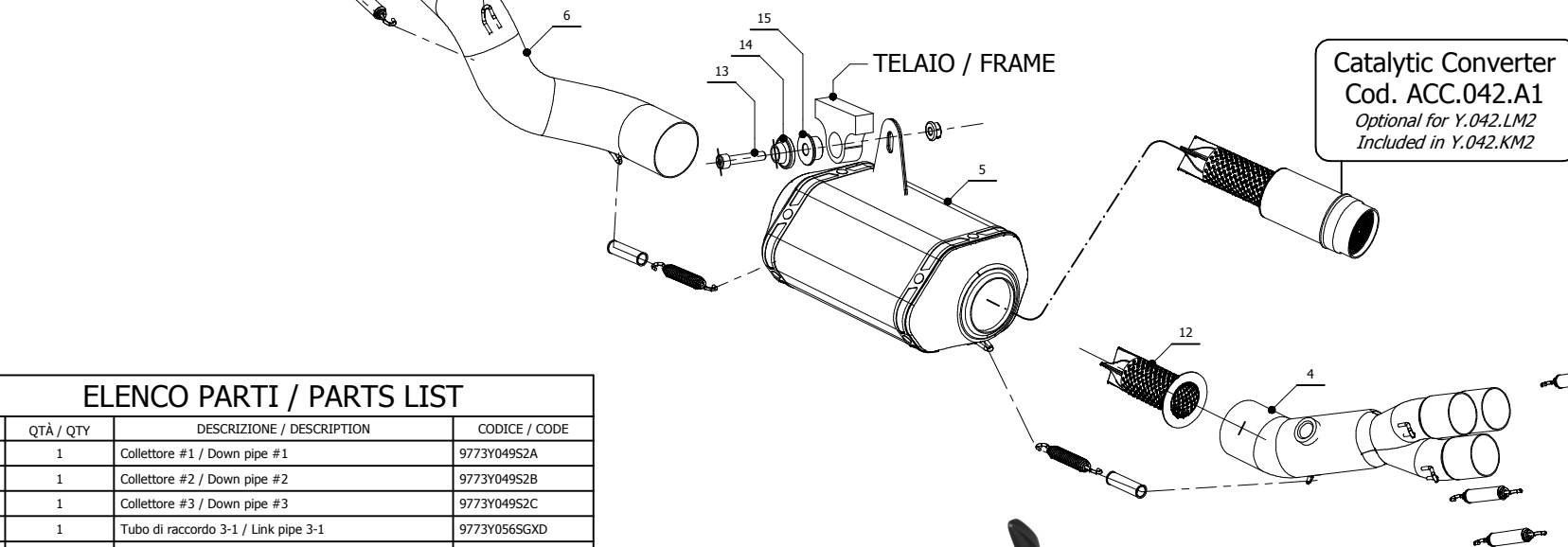
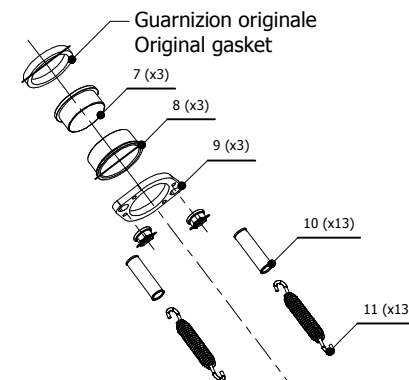
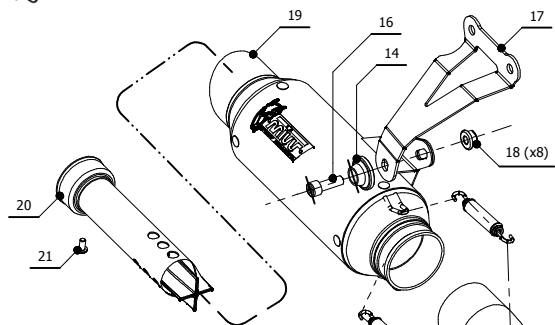
MODEL YAMAHA MT-09

YEAR 2013 -->

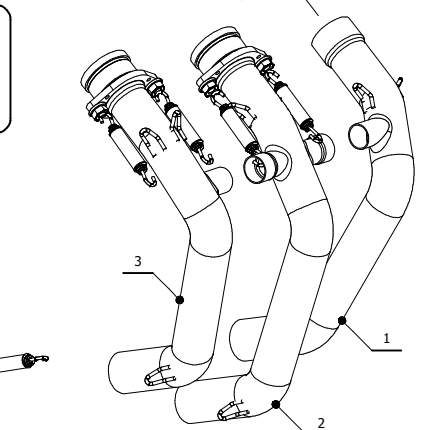
LINE FULL SYSTEM

MUFFLER GP

SCHEMATIC



Catalytic Converter
Cod. ACC.042.A1
Optional for Y.042.LM2
Included in Y.042.KM2



ELENCO PARTI / PARTS LIST

#	QTÀ / QTY	DESCRIZIONE / DESCRIPTION	CODICE / CODE
1	1	Collettore #1 / Down pipe #1	9773Y049S2A
2	1	Collettore #2 / Down pipe #2	9773Y049S2B
3	1	Collettore #3 / Down pipe #3	9773Y049S2C
4	1	Tubo di raccordo 3-1 / Link pipe 3-1	9773Y056SGXD
5	1	Silenziatore / Muffler	9873Y056SHXA
6	1	Tubo di raccordo / Link pipe	9773Y060S2E
7	3	Boccola interna in acciaio / Internal steel bush	50.73.337.1
8	3	Boccola esterna in acciaio / External steel bush	50.73.338.1
9	3	Flangia in alluminio / Aluminium flange	50.73.339.1
10	13	Tubo in gomma per molla / Rubber pipe for spring	50.73.210.1
11	13	Molla media / Middle spring	50.73.359.1
12	1	Db Killer forato / Drilled DB killer	50.DK.082.0
13	1	Vite M8x40 / Screw M8x40	50.73.075.1
14	2	Rondella in alluminio nera / Black aluminium washer	50.73.221.1
15	1	Bussola in alluminio / Aluminium bush	50.73.182.1
16	1	Vite M8x25 / Screw M8x25	50.73.064.1
17	1	Staffa / Bracket	50.SS.994.0
18	8	Dado M8 flangiato / Flanged nut M8	50.73.393.1
19	1	Silenziatore / Muffler	9873Y060LM2
20	1	DB killer / DB killer	50.DK.124.0
21	1	Vite M5 x 8 / Screw M5 x 8	50.73.459.1



APPLICAZIONI / APPLICATIONS

CODICE / CODE	TUBO / PIPE	SILENZIATORE / MUFFLER	NOTE
Y.060.LM2	INOX / ST. STEEL	INOX / ST. STEEL	CATALYTIC CONVERTER NOT INCLUDED
Y.060.KM2			CATALYTIC CONVERTER INCLUDED