



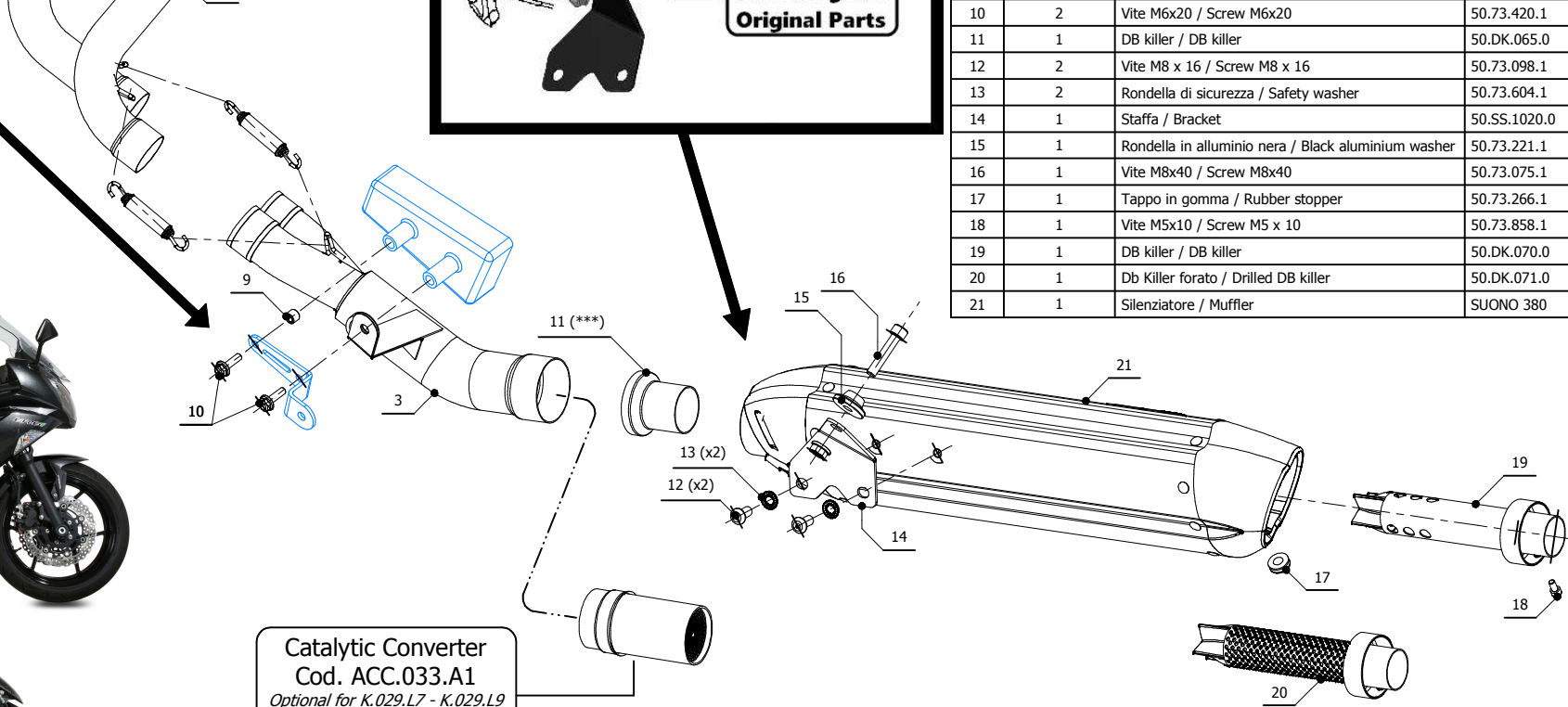
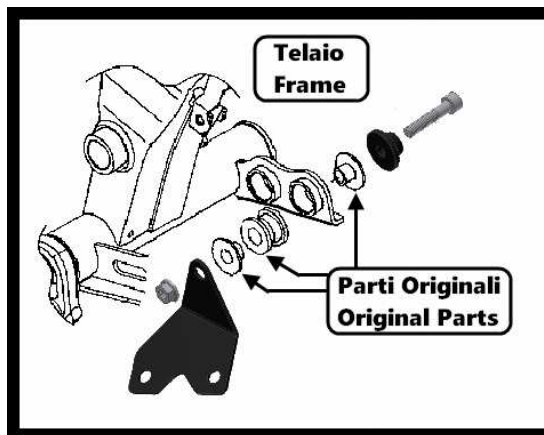
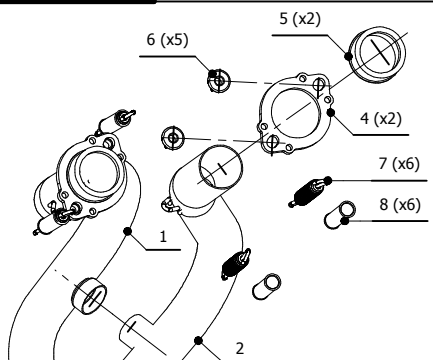
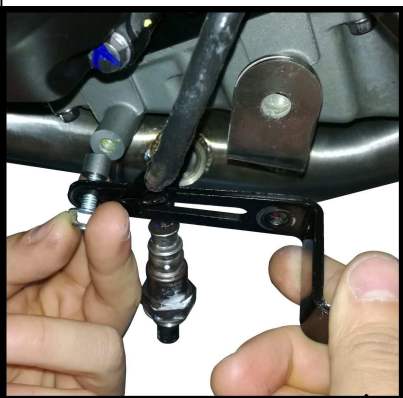
MODEL KAWASAKI ER-6n / ER-6f

YEAR 2012 - 2016

SCHEMATIC

LINE FULL SYSTEM

MUFFLER SUONO



Catalytic Converter
Cod. ACC.033.A1
Optional for K.029.L7 - K.029.L9
Included in K.029.K7 - K.029.K9

ELENCO PARTI / PARTS LIST

#	QTÀ / QTY	DESCRIZIONE / DESCRIPTION	CODICE / CODE
1	1	Tubo di raccordo / Link pipe	9773K029S7A
2	1	Tubo di raccordo / Link pipe	9773K029S7B
3	1	Tubo di raccordo 2-1 / Link pipe 2-1	9773K029S7C
4	2	Flangia / Flange	50.73.368.1
5	2	Boccola / Bush	50.73.367.1
6	5	Dado M8 flangiato / Flanged nut M8	50.73.393.1
7	6	Molla media / Middle spring	50.73.359.1
8	6	Tubo in gomma per molla / Rubber pipe for spring	50.73.210.1
9	1	Distanziale in alluminio / Aluminium spacer	50.73.759.1
10	2	Vite M6x20 / Screw M6x20	50.73.420.1
11	1	DB killer / DB killer	50.DK.065.0
12	2	Vite M8 x 16 / Screw M8 x 16	50.73.098.1
13	2	Rondella di sicurezza / Safety washer	50.73.604.1
14	1	Staffa / Bracket	50.SS.1020.0
15	1	Rondella in alluminio nera / Black aluminium washer	50.73.221.1
16	1	Vite M8x40 / Screw M8x40	50.73.075.1
17	1	Tappo in gomma / Rubber stopper	50.73.266.1
18	1	Vite M5x10 / Screw M5 x 10	50.73.858.1
19	1	DB killer / DB killer	50.DK.070.0
20	1	Db Killer forato / Drilled DB killer	50.DK.071.0
21	1	Silenziatore / Muffler	SUONO 380

*** NOTA : Il componente 50.DK.065.0 non va montato sulla versione catalizzata.
 *** NOTA : Part number 50.DK.065.0 must not be installed on the catalyzed version.

APPLICAZIONI / APPLICATIONS

CODICE / CODE	SILENZIATORE / MUFFLER	TUBO / PIPE	FASCETTA / CLAMP	NOTE
K.029.L7 K.029.L9	INOX (COPPE CARBONIO) / ST. STEEL (CARBON CAPS) STEEL BLACK	INOX / ST. STEEL	CARBONIO / CARBON FIBER	CATALYTIC CONVERTER NOT INCLUDED
K.029.K7 K.029.K9	INOX (COPPE CARBONIO) / ST. STEEL (CARBON CAPS) STEEL BLACK	INOX / ST. STEEL	CARBONIO / CARBON FIBER	CATALYTIC CONVERTER INCLUDED