



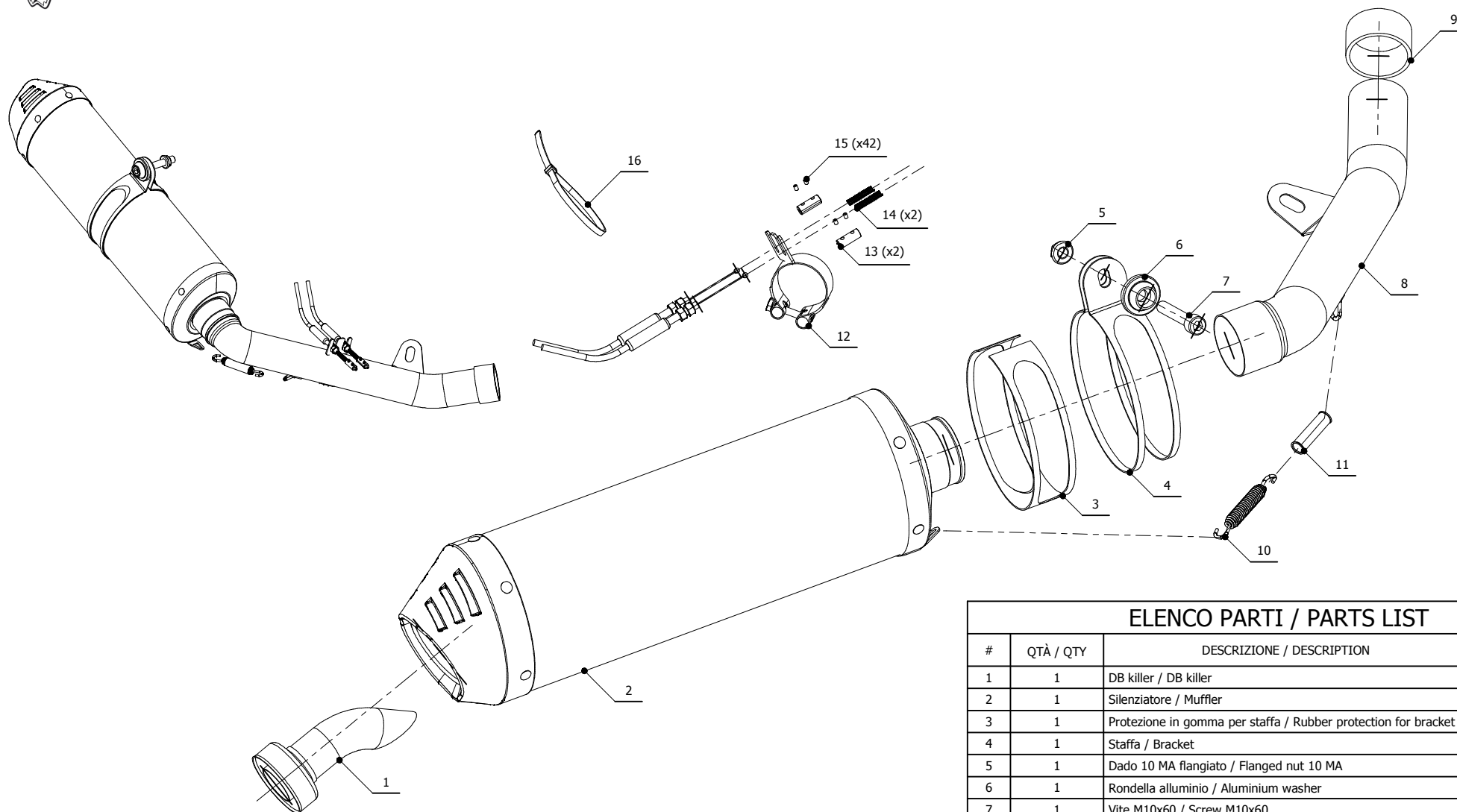
**MODEL** KAWASAKI Z 750 R

**YEAR** 2012-->

**LINE** SPORT

**MUFFLER** OVAL CARBON CAP

**SCHEMATIC**



**ELENCO PARTI / PARTS LIST**

| #  | QTÀ / QTY | DESCRIZIONE / DESCRIPTION                                      | CODICE / CODE   |
|----|-----------|--|-----------------|
| 1  | 1         | DB killer / DB killer  | 50.DK.020.0     |
| 2  | 1         | Silenziatore / Muffler   | OVAL CARBON CAP |
| 3  | 1         | Protezione in gomma per staffa / Rubber protection for bracket | 50.73.041.1     |
| 4  | 1         | Staffa / Bracket   | 50.SS.002.0     |
| 5  | 1         | Dado 10 MA flangiato / Flanged nut 10 MA                       | 50.73.332.1     |
| 6  | 1         | Rondella alluminio / Aluminium washer                          | 50.73.120.1     |
| 7  | 1         | Vite M10x60 / Screw M10x60                                     | 50.73.135.1     |
| 8  | 1         | Tubo di raccordo / Link pipe                                   | 9773K02852      |
| 9  | 1         | Guarnizione in grafite / Graphite bush                         | 50.72.49.55.29  |
| 10 | 1         | Molla lunga / Long spring                                      | 50.71.080.1     |
| 11 | 1         | Tubo in gomma per molla / Rubber pipe for spring               | 50.73.210.1     |
| 12 | 1         | Fascetta passacavi / fairlead clamp                            | 50.SS.139.0     |
| 13 | 2         | Morsetti in alluminio / Aluminium clamps                       | 50.73.138.1     |
| 14 | 2         | Molla / Spring   | 50.73.142.1     |
| 15 | 4         | Grani M3 / Grub screws M3                                      | 50.73.140.1     |
| 16 | 1         | Fascetta in nylon / Nylon clamp                                | 50.73.360.1     |

**APPLICAZIONI / APPLICATIONS**

| CODICE / CODE | TUBO / PIPE     | SILENZIATORE / MUFFLER                           | FASCETTA / CLAMP | CODICE OMOL. / HOMOL.CODE |
|---------------|-----------------|--|------------------|---------------------------|
| K.028.LEC     | INOX / ST.STEEL | CARBONIO (COPPA CARBONIO) / CARBON (CARBON CAP)  | INOX / ST.STEEL  | ME008 e9 1176             |
| K.028.LNC     | INOX / ST.STEEL | TITANIO (COPPA CARBONIO) / TITANIUM (CARBON CAP) | INOX / ST.STEEL  | ME008 e9 1176             |