



MODEL BMW R 1250 GS

YEAR 2018 -->

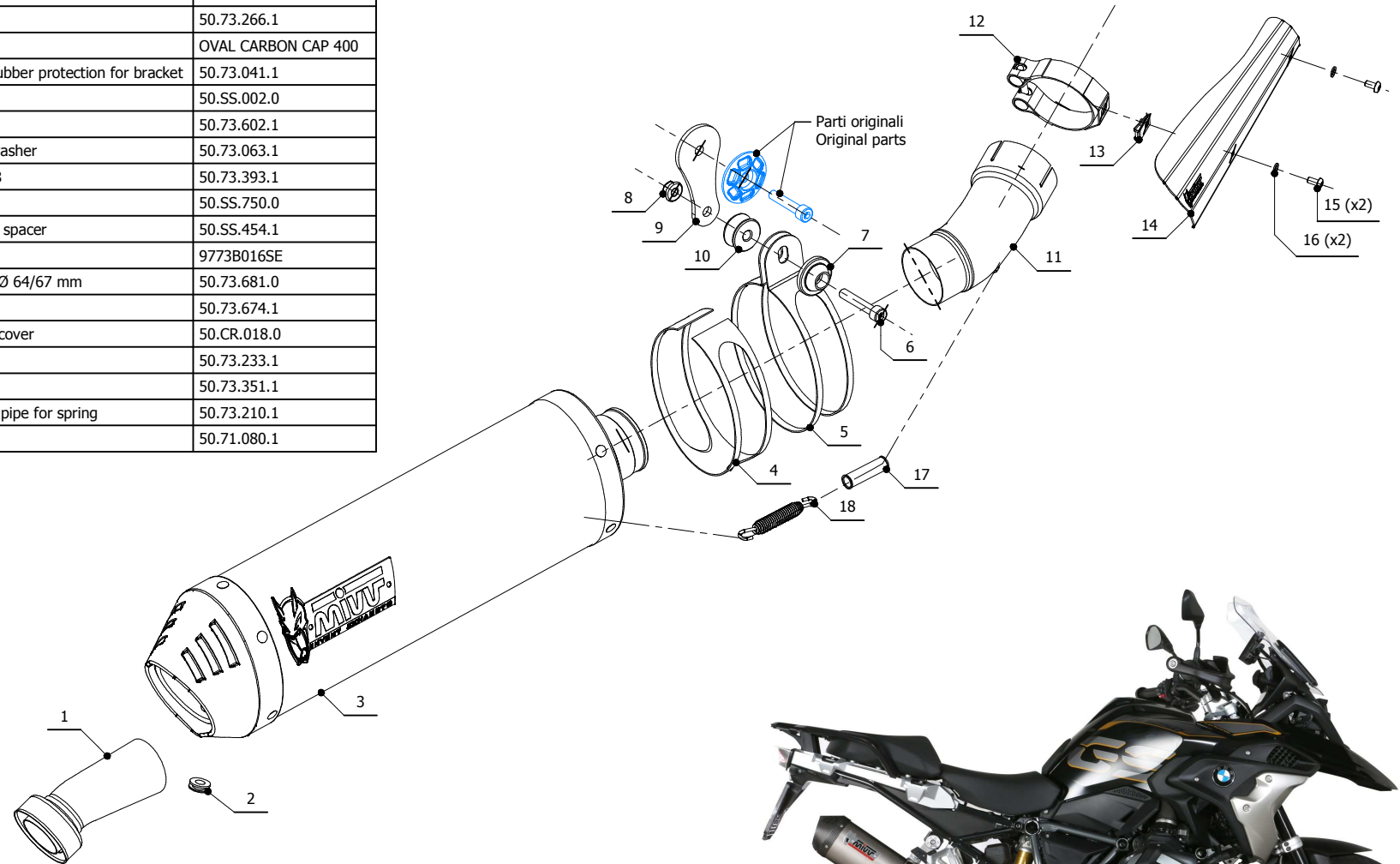
LINE SLIP ON

MUFFLER OVAL CARBON CAP

SCHEMATIC

ELENCO PARTI / PARTS LIST

#	QTÀ / QTY	DESCRIZIONE / DESCRIPTION	CODICE / CODE
1	1	DB killer / DB killer	50.DK.139.0
2	1	Tappo in gomma / Rubber stopper	50.73.266.1
3	1	Silenziatore / Muffler	OVAL CARBON CAP 400
4	1	Protezione in gomma per staffa / Rubber protection for bracket	50.73.041.1
5	1	Staffa / Bracket	50.SS.002.0
6	1	Vite M8x45 / Screw M8x45	50.73.602.1
7	1	Rondella in alluminio / Aluminium washer	50.73.063.1
8	1	Dado M8 flangiato / Flanged nut M8	50.73.393.1
9	1	Staffa / Bracket	50.SS.750.0
10	1	Distanziale in alluminio / Aluminium spacer	50.SS.454.1
11	1	Tubo di raccordo / Link pipe	9773B016SE
12	1	Fascetta Ø 64/67 mm / Pipe clamp Ø 64/67 mm	50.73.681.0
13	1	Dado rapido M5 / M5 Cage nut	50.73.674.1
14	1	Copertura in alluminio / Aluminium cover	50.CR.018.0
15	2	Vite M5 x 8 / Screw M5 x 8	50.73.233.1
16	2	Rondella M5 / Washer M5	50.73.351.1
17	1	Tubo in gomma per molla / Rubber pipe for spring	50.73.210.1
18	1	Molla lunga / Long spring	50.71.080.1



APPLICAZIONI / APPLICATIONS

CODICE / CODE	SILENZIATORE / MUFFLER	TUBO / PIPE	FASCETTA / CLAMP
B.034.LEC	CARBONIO (COPPA CARBONIO) / CARBON (CARBON CAP)	INOX / ST.STEEL	INOX / ST.STEEL
B.034.LNC	TITANIO (COPPA CARBONIO) / TITANIUM (CARBON CAP)		