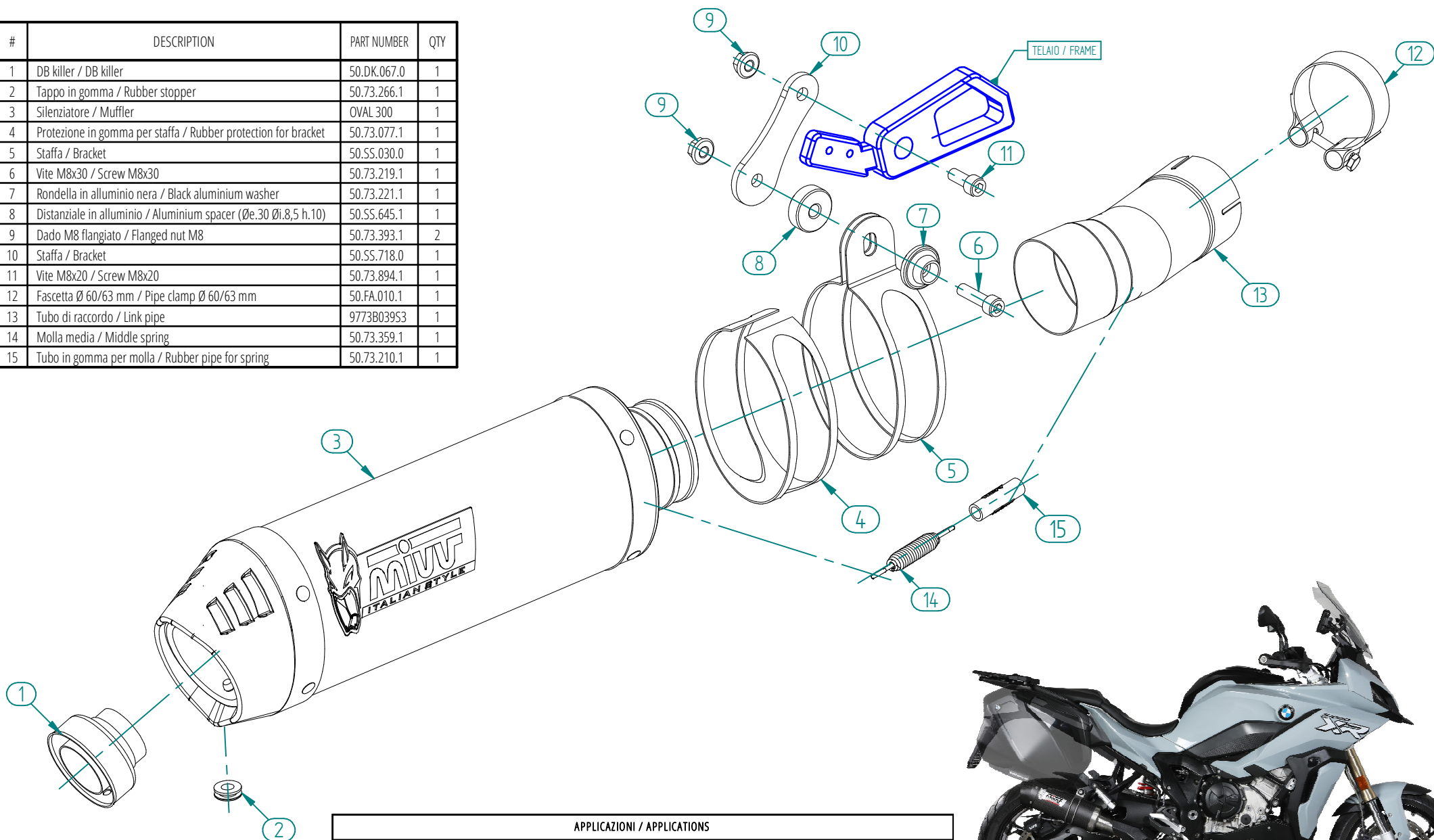


#	DESCRIPTION	PART NUMBER	QTY
1	DB killer / DB killer	50.DK.067.0	1
2	Tappo in gomma / Rubber stopper	50.73.266.1	1
3	Silenziatore / Muffler	OVAL 300	1
4	Protezione in gomma per staffa / Rubber protection for bracket	50.73.077.1	1
5	Staffa / Bracket	50.SS.030.0	1
6	Vite M8x30 / Screw M8x30	50.73.219.1	1
7	Rondella in alluminio nera / Black aluminium washer	50.73.221.1	1
8	Distanziale in alluminio / Aluminium spacer (Øe.30 Øi.8,5 h.10)	50.SS.645.1	1
9	Dado M8 flangiato / Flanged nut M8	50.73.393.1	2
10	Staffa / Bracket	50.SS.718.0	1
11	Vite M8x20 / Screw M8x20	50.73.894.1	1
12	Fascetta Ø 60/63 mm / Pipe clamp Ø 60/63 mm	50.FA.010.1	1
13	Tubo di raccordo / Link pipe	9773B039S3	1
14	Molla media / Middle spring	50.73.359.1	1
15	Tubo in gomma per molla / Rubber pipe for spring	50.73.210.1	1



APPLICAZIONI / APPLICATIONS			
CODICE / CODE	SILENZIATORE / MUFFLER	TUBO / PIPE	FASCETTA / CLAMP
B.039.L3C	CARBONIO (COPPA CARBONIO) / CARBON (CARBON CAP)	INOX / ST. STEEL	INOX / ST. STEEL
B.039.L4C	TITANIO (COPPA CARBONIO) / TITANIUM (CARBON CAP)		

