



**MODEL** MOTO GUZZI V7 CLASSIC / SPECIAL

**YEAR** 2008 - 2016

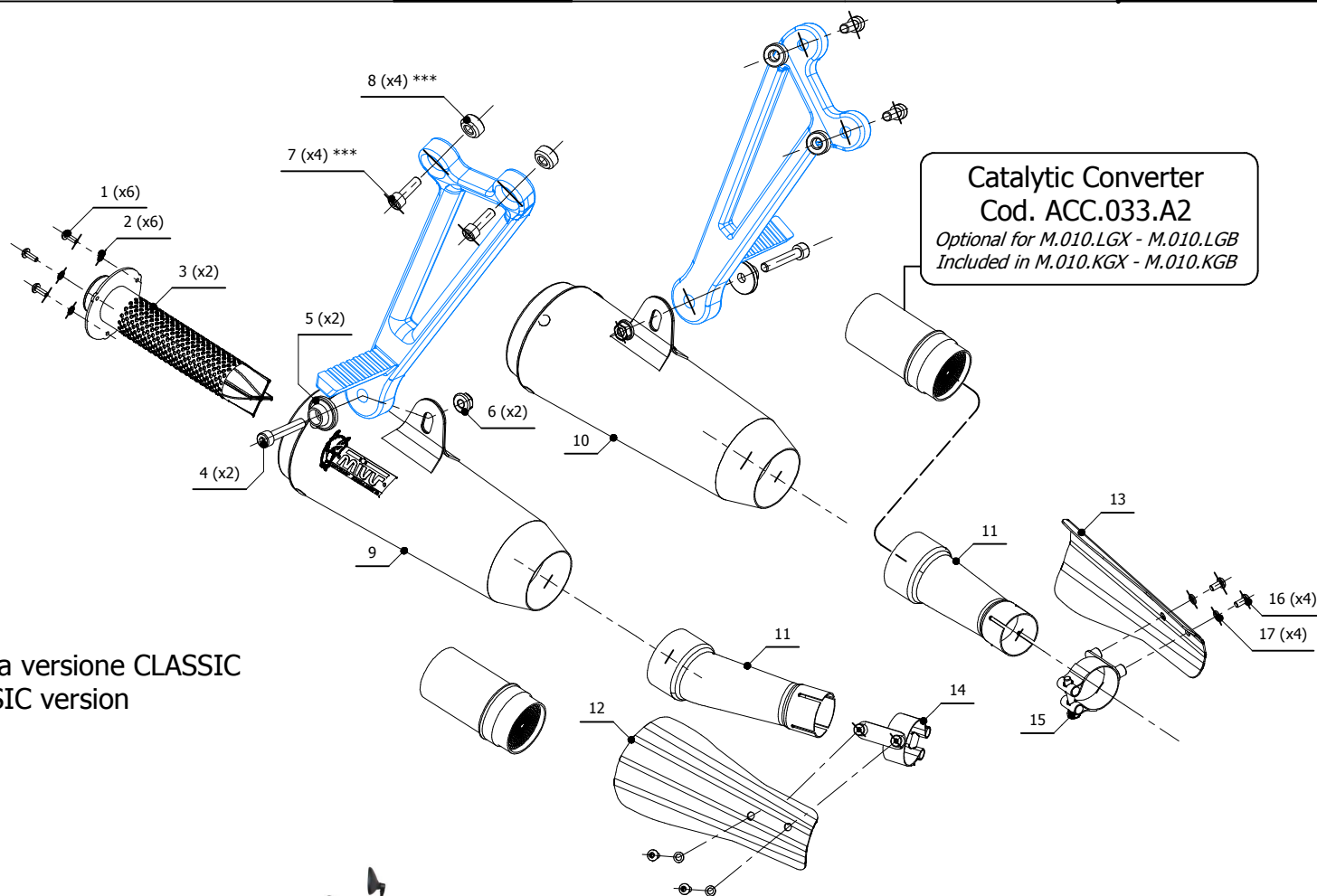
**LINE** SLIP ON

**MUFFLER** GHIBLI

**SCHEMATIC**

**ELENCO PARTI / PARTS LIST**

#	QTÀ / QTY	DESCRIZIONE / DESCRIPTION	CODICE / CODE
1	6	Vite M4 x 12 / Screw M4 x 12	50.73.438.1
2	6	Rondella M4 / Washer M4	50.73.440.1
3	2	DB killer / DB killer	50.DK.108.0
4	2	Vite M8x45 / Screw M8x45	50.73.602.1
5	2	Rondella nera / Black washer	50.73.221.1
6	2	Dado M8 flangiato / Flanged nut M8	50.73.393.1
7	4	Vite M8x25 / Screw M8x25	50.73.064.1
8	4	Distanziale in alluminio / Aluminium spacer	50.SS.070.1
9	1	Silenziatore destro / Right muffler	GHIBLI DX
10	1	Silenziatore sinistro / Left muffler	GHIBLI SX
11	2	Tubo di raccordo / Link pipe	9773M010SGX
12	1	Copertura destra / Right cover	50.CR.034/036.DX
13	1	Copertura sinistra / Left cover	50.CR.034/036.SX
14	1	Fascetta / Pipe clamp (Ø 40/43 mm)	50.73.813.DX
15	1	Fascetta / Pipe clamp (Ø 40/43 mm)	50.73.813.SX
16	4	Vite M5 x 8 / Screw M5 x 8	50.73.459.1
17	4	Rondella M5 / Washer M5	50.73.351.1



**\*\*\* NOTE \*\*\***

- I componenti #7 e #8 sono da usare solo per la versione CLASSIC  
- Parts #7 e #8 are used only on CLASSIC version



**APPLICAZIONI / APPLICATIONS**

CODICE / CODE	TUBO / PIPE	SILENZIATORE / MUFFLER	NOTE
M.010.LGX M.010.LGB	INOX / ST. STEEL	INOX / ST. STEEL BLACK STEEL	CATALYTIC CONVERTER NOT INCLUDED
M.010.KGX M.010.KGB	INOX / ST. STEEL	INOX / ST. STEEL BLACK STEEL	CATALYTIC CONVERTER INCLUDED